

Manual



from haze**base**



Scope of delivery

- 1 fog machine Piccola
- 1 magnetic Banded
- 1 250ml tank incl. Cover and quick coupling
- 1 3,4Ah / 12V AGM Battery incl. Holder
- 1 charger incl. Primary adapter
- 1 carrying case
- 1 instruction manual

Please check the completeness of the delivery

Table of content

1. Introduction	3
2. Safety	4
3. Name of the parts	5
4. Preparation	7
4.1 Selecting the location	7
4.2 Filling the tank	7
4.3 Hose cover	7
5. Working with the Piccola	8
5.1 Display of the Piccola	8
instructions5.2 Operation in stand-alone mode	8
5.3 mode selection in the 5 pin XLR connectors	9
5.4 operation DMX / RDM	10
5.5 operating cable remote control (optional)	10
5.5 operating by radio remote control (optional)	10
5.6 off the Piccola	11
6. the battery pack	12
6.1 change the battery pack	12
6.2 treatment of Battery packs	12
6.3 Charging the battery pack	13
6.4 Safety instructions for the battery pack	13
7. Vaporizer	13
7.1 Changing the vaporizer	13
8. Care and maintenance	15
9. Troubleshooting	16
10. Technical data	17
11. Guarantee	18

1. Introduction

The Piccola is a battery-operated smoke machine for use both as a fog effect in the entertainment area, as well as for flow tests or leak detection. It only needs the shortest heating times (1 sec.) And also has a compact housing with low weight (2.6kg).

The Piccola only takes energy from the battery when a fogging process is started. This process runs according to the following scheme.

1. Heating up (approx. 1 second)
2. Fluid pump delivers and fog is generated.
3. Follow-up time of 10 seconds (the heating is still active while the pump is switched off).

The triggering of the fogging process can either take place via the trigger button on the handle, or via the 5-pin XLR socket. There are three different operating modes available for this.

1. DMX-512
2. Cable remote control (optionally available)
3. Radio remote control (optionally available)

ATTENTION!

The battery must be disconnected from the device when the Piccola is not in use. In case of longer storage, the battery must be charged at regular intervals (every 6 months at the latest). Never store a discharged battery.

2. Safety

instructions Very hot steam comes out of the mist outlet opening. **Caution, risk of burns!**

During the fogging process, very hot fluid droplets can occasionally emerge from the fog outlet opening. For this reason, no people or heat-sensitive objects may be located within 1.5 m of the fog outlet.

Never tamper with the mist outlet opening during operation or when it is activated.

The device must be set up in a location that is not sensitive to heat. Maintain a minimum distance of 60 cm to inflammable, combustible and heat-sensitive objects.

The fog fluid used contains a glycol, which burns with a slightly bluish, almost invisible flame. Therefore, never smoke into strong ignition sources such as open fire.

Never open the device connected to a power source.

Occasional leakage of hot fluid droplets is possible during operation. Care should therefore be taken to ensure that these cannot become a danger to people. Maintain a safety distance of 3m from the fog outlet nozzle.

Do not ingest the fog fluid and keep it away from children. In the event of contact with the eyes, rinse with plenty of water. Consult a doctor in case of accidental ingestion.

Spilled or splashed fluid can create a slip hazard. Collect fluid and dispose of according to regulations.

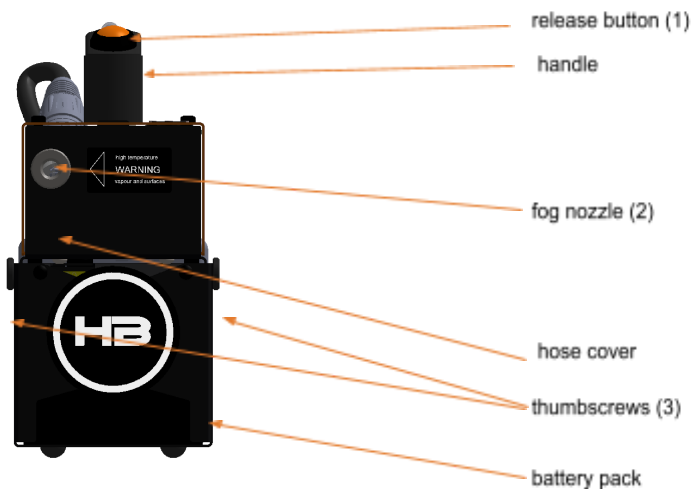
Do not let the visibility drop below 2m, you are responsible for people who move in the foggy room.

The generated fog can trigger smoke alarms.

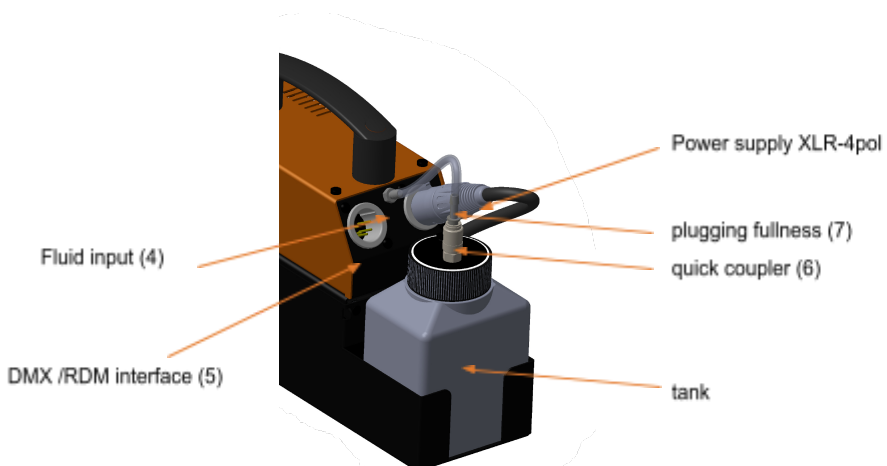
The method used here to generate artificial fog is largely harmless and is used worldwide in the entertainment sector. We are not aware of any case in which a healthy person was harmed by the use of this artificial mist. **Nevertheless, we recommend sick people or people with previous respiratory tract damage or a tendency to allergies to contact with artificial fog avoid!**

3. Designation of the parts

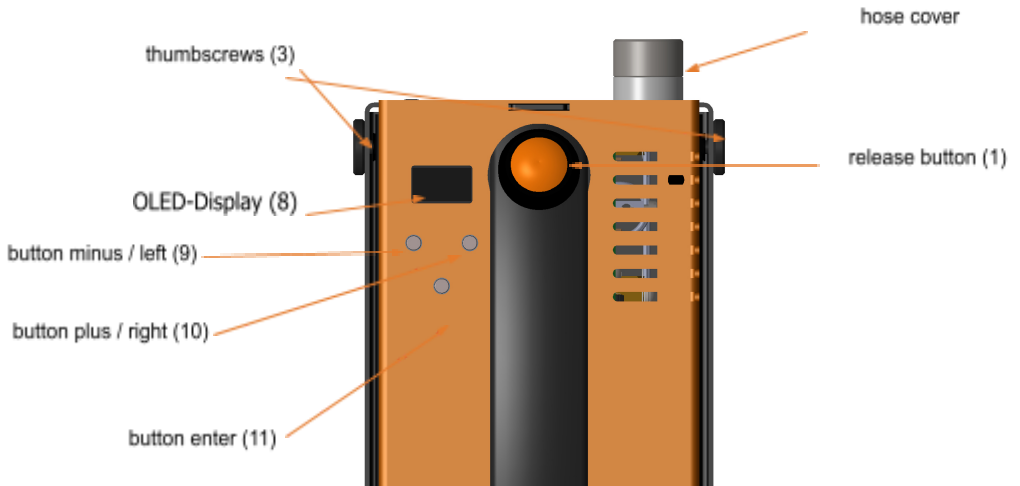
Front



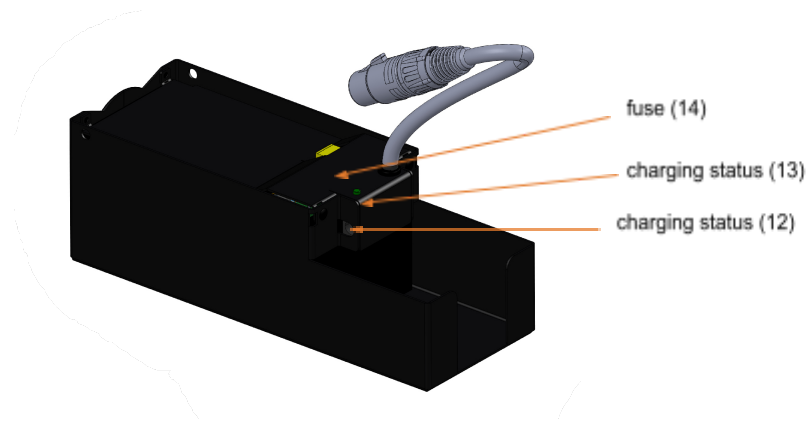
Rear view



Top view



battery pack



4. Preparation

4.1 Selecting the location

The location at which the Piccola is operated must

- have good ventilation behave
- free of vibrations and shocks
- a non-flammable surface that is
- far enough away from easily flammable objects
- an ambient temperature between 5 ° C and 45 ° C

4.2 Filling the tank

1. If necessary, remove the two XLR plugs
2. Push the sleeve of the quick coupling (6) in the direction of the tank. The plug-in socket (7) is then unlocked and can be removed from the quick coupling.
3. Remove holder.
4. Unscrew the tank from the tank cap and fill it with original Base B fluid. Make sure that no dirt gets into the tank. The suction strainer may have to be cleaned.
5. Slide the tank back into the tank holder.
6. Insert the plug-in socket (7) back into the quick coupling (6). When this locks, a distinct "click" sound be heard.

4.3 Hose

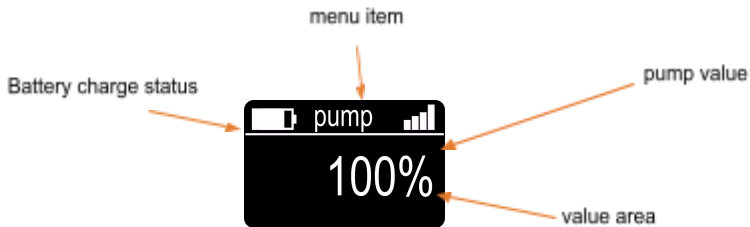
The Piccola is supplied with a hose cover for 15mm hoses. Please only use hoses that can handle the temperatures. The hose cover is held by a magnet on the device. The protruding ring on the hose cover is used for centering. This fits exactly into the mist exit hole on the device.

The longer the mist duration is through the hose, the hotter the hose and the quality of the mist decreases (becomes increasingly grayish). Small ventilation holes in the hose directly on the hose cover can help improve this effect. Nevertheless, condensation inevitably forms in the hose, which must be removed after each use.

5. Working with the Piccola

The Piccola is a battery-operated smoke machine with a directly heated evaporator. It can generate the smallest clouds of fog to locate leaks, but it can also emit a larger, effective fog cloud. The amount of mist can be set from 25% to 100% in 25% steps. A single shot mode is also implemented.

5.1 Display of the Piccola



The operation of the Piccola takes place via the three buttons (minus / left, plus / right, enter) and the OLED display. In the upper part of the display, the charge status of the battery can be read on the left. The selected amount of fog is displayed in the upper right part. The selected menu item is displayed in the middle. The respective values are shown in the lower part of the display.

If a menu item is selected (see "Pump" above), the respective value can be changed with the Minus / Left (9) and Plus / Right (10) buttons. The menu item can be reached or exited with the Enter (11) key.

The Piccola is switched on using the release button (1) or one of the other three buttons (9-11).

5.2 Operation in stand-alone mode

The simplest control case is stand-alone mode. This can be started with the release button (1).

If the trigger button (1) has been used, the fogging process starts immediately, according to the preset amount of fog. As soon as the trigger button is released, the reheating process begins to empty the evaporator tube. After 10 seconds the Piccola is switched off again and therefore no longer uses any electricity.

The following display appears in this stand-alone mode



No menu item has yet been selected. You can now switch through the menu with the minus / left (9) and plus / right (10) buttons. The menu sequence is *Pump* → *Mode* → *Info*.

Use the Enter (11) key to switch to the menu item Pump setting. The following settings can now be made here: *single* → *25%* → *50%* → *75%* → *100%*.

With the setting *single-shot*, only three pump blows are generated. This creates a small burst of fog. To generate a second burst of fog, the release button must be released and then pressed again. Leak tests can be carried out with this mode.

5.3 Mode selection of

the 5-pin XLR socket The next menu item is the setting of the mode for the 5-pin XLR socket. When changing to this menu item, the following options are available: *Manual* → *DMX* → *Remote*.

The socket is deactivated in manual mode. The device can only be using started the trigger button.

In *DMX* mode, the socket is used to receive a DMX-512 telegram. Furthermore, the Piccola is *RDM* capable, so the DMX address can also be using an *RDM* changed capable lighting console. A firmware update via *RDM* is also possible.

In *remote* mode, the Piccola can be using triggered wired remote control or a radio remote control.

If a mode other than manual is selected, the main menu is expanded to include the corresponding sub-items.

5.4 Operation via DMX / RDM

The menu item DMX has now been added to the main menu. By selecting this menu item you get to the setting of the DMX address.



This can be changed using DMX address the minus button (9) and plus button (10). The address is automatically adopted after two seconds. This is indicated by flashing the address .



If a valid DMX signal is received, a small "R" appears above the quantity display.

Since the Piccola needs energy from the battery for DMX reception, in this case it switches off one hour after the last valid DMX signal. This saves the battery.

5.5 Operation via cable(option)

The remote control "Remote" menu item has now been added to the main menu. Selecting this menu item takes you to the settings for the connected remote control. If a remote control has not yet been connected, "no remote found" appears in the display. As soon as a cable remote control is connected, however, an "analog found" appears.

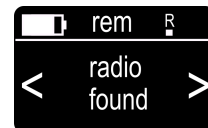


If a valid signal is received, a small "R" appears above the quantity display. If the potentiometer on the remote control is turned over 10% and the switch is switched on, the fogging process is started. The output can now be 25%. 50%, 75% and 100% can be set.

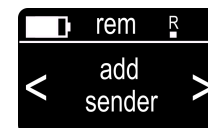


5.5 Operation via radio remote control (option)

If a radio remote control is connected, "radio found" appears in the display. The fogging process can be triggered by pressing the appropriately programmed button on the hand transmitter. The pump value is adopted from the setting on the device.

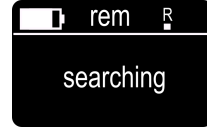


When using a radio remote control, several hand-held transmitters can be trained on the receiver. A selection of



the button on the hand-held transmitter can also be specified.

To learn a hand-held transmitter, please activate the menu item "add sender". Then "searching" appears in the display. Now please press a button on your hand transmitter. When the hand-held transmitter has been taught successfully in, "adding" appears on the display.



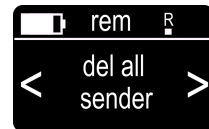
You can then continue by selecting the button on the hand transmitter.



To do this, select buttons 1 to 4 using the plus and minus buttons. Here, too, the set value is automatically saved after two seconds.

The Piccola now triggers the fogging process when the set button is confirmed.

It is also possible to delete the learned hand-held transmitters from the memory. To do this, select the "del all sender" menu.



All learned hand-held transmitters are now removed from the memory.



5.6 Switching off the Piccola

The Piccola switches itself off automatically after the fogging process in order to extend the battery life. However, if a mode other than "Manual" is set, the Piccola can be switched off using the "Off" menu item.



Note that the machine can then only be switched on using the buttons on the device !

5.7 Machine information

In the “Info” menu item, the serial number and the firmware version of the Piccola can be read.



6. The battery pack

The supplied battery pack contains a maintenance-free 12V lead-gel battery. This can be used independently of the location. The Piccola is connected via a 4-pin. XLR connector. The charger is connected via a low voltage socket.

When used properly, the battery retains its capacity for several years and has several hundred charge / discharge cycles.

6.1 Changing the battery pack

To change the battery pack, first disconnect the battery from the device (4-pin XLR plug). Then disconnect the hose connection to the tank and remove the tank from the battery pack.

Now loosen the two knurled screws (3) and remove the device from the battery pack. Mount the new battery pack in reverse order.

6.2 Handling the battery pack

The lead gel battery is a robust energy storage device that requires little care and maintenance. Nevertheless, incorrect use and storage can greatly reduce the service life.

Therefore: **Never discharged battery store!**

As a result, the battery can lose a large part of its capacity within a few weeks. If the battery is stored for a longer period, it must be recharged regularly (at least every 6 months).

For safety reasons, always disconnect the battery from the device during transport.

6.3 Charging the battery pack

Please use the power supply unit supplied to charge the battery pack. The charge control indicator lights up red during the charging process. When the battery is charged, the color changes to green.

6.4 Safety instructions for

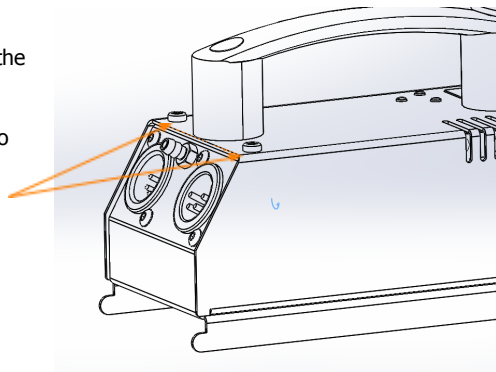
- the battery pack Never short-circuit the battery, never reduce the cable cross-sections.
- Always operate the battery in a ventilated housing.
- Never disassemble the battery.
- Never expose the battery to fire or burn it. This could cause an explosion.
- Keep the battery away from sources of heat. A battery temperature above 45 ° C should not be exceeded.

7. Evaporator

7.1 Replacing the evaporator

If the mist emission decreases, the evaporator should be replaced.

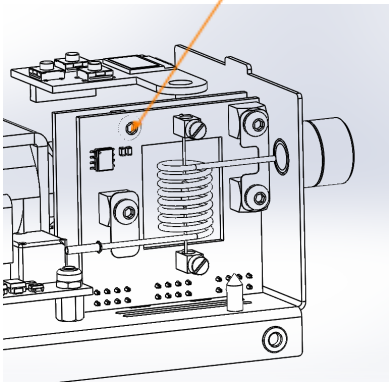
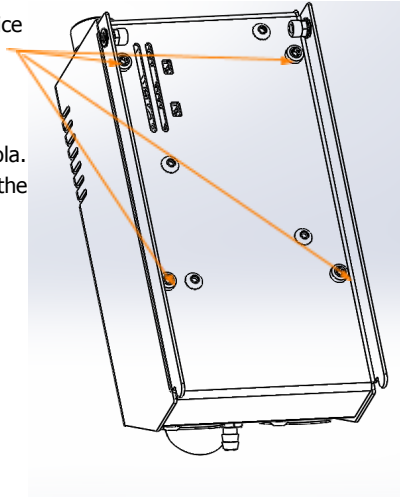
To do this, please loosen the two screws on the top of the cover.



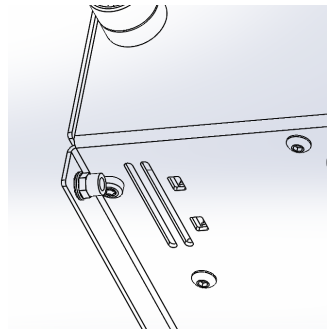
The four screws on the underside of the device can then be removed.

Now carefully remove the lid of the Piccola. Carefully remove the ribbon cable from the connector on the motherboard.

Then remove the screw from the evaporator board.



The evaporator can now be released by levering a small screwdriver through the two openings.



Now remove the fluid hose from the old vaporizer and attach it to the new one.

Remove all fluid residues in the unit using a cloth.

Then mount the new evaporator in the device in reverse order and close the housing. The new vaporizer can be used immediately.

8. Care and maintenance

Avoid the Piccola without fluid. Otherwise, the pump will run dry.

Avoid overheating the device from direct sunlight or direct headlights. The permissible ambient temperature can be found in the technical data.

Immediately wipe up any leaked fluid.

Check the suction strainer in the tank from time to time. Clean it or replace it.

If the same fluid canister is used frequently, you should rinse it out thoroughly with fresh fluid before filling it. This will avoid contamination.

Clean the surface of the If device necessary, with a suitable, solvent-free cleaning agent.

If necessary, clean the inside of the device in the area of the evaporator.

PLEASE NOTE: The evaporator of our fog machines does NOT have to be cleaned! Cleaning fluids that are available on the market can damage the vaporizer! In this case the guarantee is void.

9. Troubleshooting

The Piccola does not smoke

- Check external control
- Check battery
- Check fluidlevel
- Check the connection on the fluid tank for leaks
- Check the suction strainer in the tank for contamination
- Check the fluid hose and connector for leaks

The Piccola suddenly switches off

- The battery is empty. The message "empty battery" appears in the display.
- The temperature fuse in the evaporator is defective. The error message "HEM Error" appears in the display.

The Piccola hums loudly when fogging.

- The pump runs dry. This must be avoided at all costs.
- Refill fluid Check
- hose and coupling, engage again if necessary.

10. Technical data

Functional principle	evaporator fog machine, directly heated, battery operated
Connection	200W, 12V DC Heating
Heating time	1 second
Fluid tank	250ml
fog density	Adjustable in 25%, 50%, 75%, 100%, single shot
Battery life	Up to 30 min at 25% Up to 10 min at 50% Up to 6 min at 75% Up to 4 min at 100%
fluid consumption	1.5 ml / min at 25% 3.0 ml / min at 50% 4.5 ml / min at 75% 6.0 ml / min at 100%
assisted Protocols	DMX-512, RDM
battery	lead-gel, 12V / 3.4Ah
Charger adapter	15W / 18V DC, wide-range input (90-264V) with exchangeable primary
Supported types of fluids cover	base*B
Optional accessories	radio remote control, cable remote control via 5-pin XLR, hose, 5-pin XLR cable whip
Weight	2.6kg
Dimensions (LxWxH)	203 x 79 x 163 mm (including battery and tank holder)

11. Guarantee conditions

For the purchased Piccola smoke, hazebase provides a guarantee according to the following conditions:

1. We repair free of charge in accordance with the following conditions (No. 2 to 6)
Damage or defects in the device, i.e. e are demonstrably based on manufacturing defects if they are reported to us immediately after detection and within 24 months of delivery to the end user. A guarantee obligation is not triggered by minor deviations from the target quality, which are irrelevant for the value and usability of the device, by damage from the effects of water and generally from abnormal environmental conditions or force majeure.
2. The guarantee is provided in such a way that defective parts are repaired free of charge or replaced by faultless parts, at our option. Devices for which a guarantee service is claimed with reference to this guarantee must be handed over to us and sent carriage paid.
The purchase receipt with the date of purchase and / or delivery must be submitted. Replaced parts become our property.
3. The warranty claim expires if repairs or interventions are carried out by persons who are not authorized to do so by us or if our devices are provided with additional parts or accessories that are not matched to our devices. Furthermore, the guarantee expires if a different from the original hazebase fog fluid was used. If the devices are sent to us without the fluid canister having been removed or emptied beforehand, the guarantee is also void, as is the case with verifiable disregard of the operating instructions or errors due to improper handling / handling and damage caused by force.
4. We do not grant any performance claims on components or component groups that are subject to natural wear and tear or normal wear and tear. In particular, all fluid-conveying parts such as pumps and heating elements / evaporators are considered wear parts. A goodwill regulation will be checked on a case-by-case basis.
5. Guarantee services do not result in an extension of the guarantee period, nor do they initiate a new guarantee period. The guarantee period for installed spare parts ends with the guarantee period for the entire device.

6. If a damage or a defect cannot be remedied by us, or the improvement is refused or unreasonably delayed by us, within 6 months from the date of purchase / delivery, at the request of the end customer, either
 - a. Replacement delivered free of charge or
 - b. the reduced value is compensated or
 - c. the device will be taken back against reimbursement of the purchase price, but not beyond the market price.
7. Further or other claims, in particular those for replacement of damage caused outside the device, are excluded - unless liability is mandated by law.



hazebase
Uta Raabe
Stargarder Straße 2
30900 Wedemark

Phone: +49 (0) 5130-371005
Fax: +49 (0) 5130-371006
E-Mail: info@hazebase.com